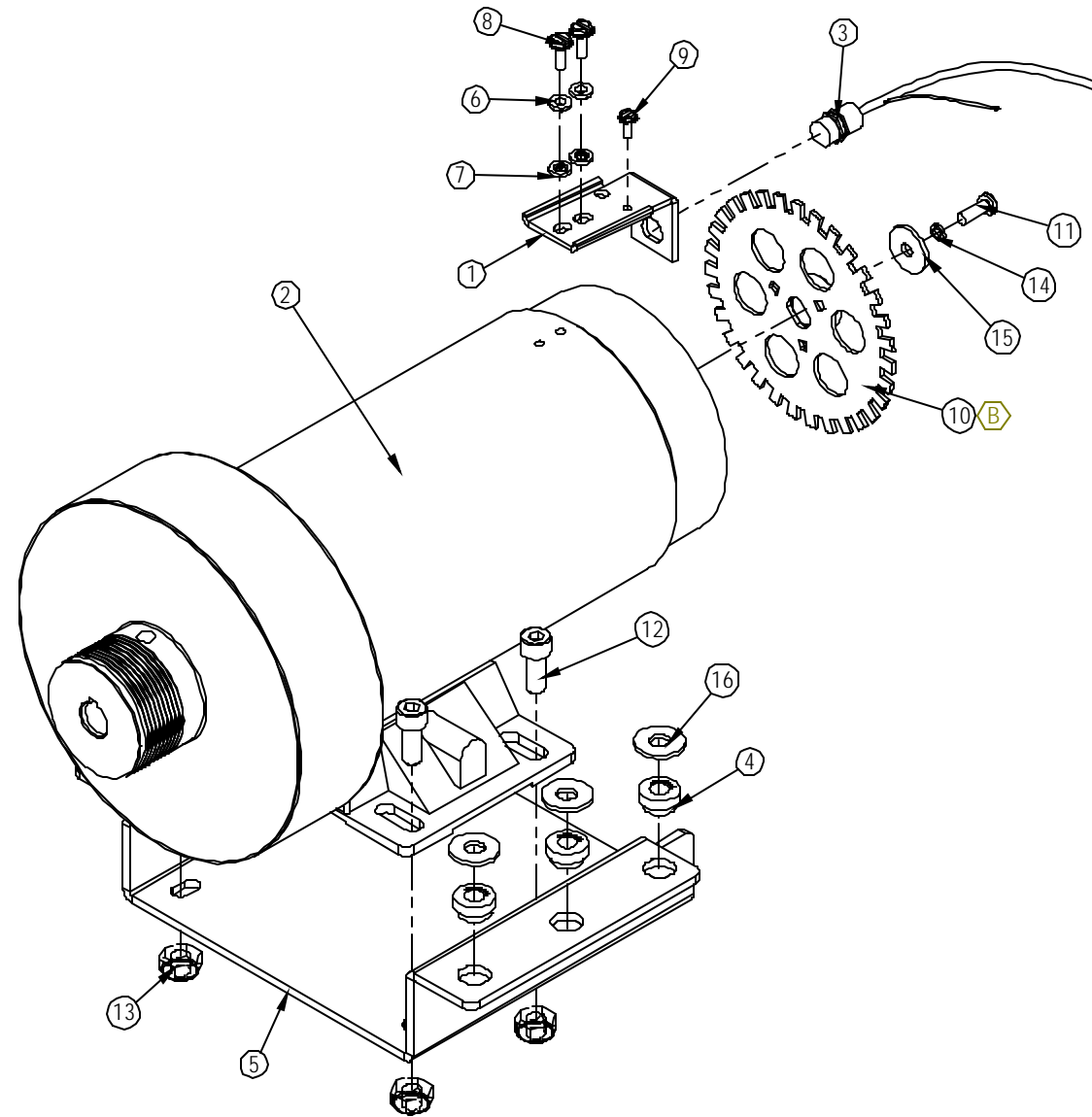


REV	DATE	DESCRIPTION	ECO	BY
A	09-18-07	PRODUCTION RELEASE		AK
B	08-27-08	REMOVE 740-6169 AND ADD 740-6216	12002	SJ



ITEM NO.	STARTRAC P/N	PART NUMBER	DESCRIPTION	QTY.
1		020-6563		1
2	740-6008	740-6008	MOTOR,90 VDC, SPORT TREAD	1
3	740-6020	740-6020	Assy, Speed Sensor, Sport Treadmill	1
4	740-6082	STDP3600	GASKET, SCREW ISOLATOR	6
5	740-6105	STDP1000	BRACKET, MOTOR BASE	1
6	740-6118	STDP6100	WASHER, SHOULDER, M5	2
7	740-6119	STDP6200	WASEHR, RETAINER, #6, NYLON	2
8	740-6120	STDP6400-TRC	SCREW, 8-32 X 1/2" HHMS,W/WASH	2
9	740-6121	STDP6300-TRC	SCREW, 6-32 X 3/8" HHMS,W/WASH	1
10	740-6216	STDP5200-TRX	SPEED SENSOR, WHEEL	1
11	740-6512	GB818M5*15;   2	SCREW,GB818M5*15	1
12	740-6522	GB70M8*20;   4	SCREW,GB70M8*20	4
13	740-6523	NM8;   19	SCREW,NM8	4
14	740-6526	GB935;   12	SCREW,GB935	1
15	740-6527	DQ6DS2	WASHER,DQ6	1
16	740-6530	DQ8;   2A	WASHER, DQ8	6

**NOTICE OF PROPRIETARY INFORMATION**  
 THIS DOCUMENT SHALL NOT BE REPRODUCED NOR SHALL THE INFORMATION CONTAINED HEREIN BE USED BY OR DISCLOSED TO OTHER EXCEPT AS EXPRESSLY AUTHORIZED BY UNISEN INC. D.B.A. STAR TRAC.

**DOCUMENT STATUS:  
 RELEASE**

NOTES:

CLASS OF WORK	UNLESS OTHERWISE SPECIFIED DIMS ARE IN mm. TOLERANCES FOR MEASURE OF LENGTH ARE:							
	0.5 to 3	>3 to 6	>6 to 30	>30 to 120	>120 to 400	>400 to 1000	>1000 to 2000	>2000
FINE	±0.05	±0.05	±0.1	±0.15	±0.2	±0.3	±0.5	-----
MEDIUM	±0.1	±0.1	±0.2	±0.3	±0.5	±0.8	±1.2	±2
COARSE	±0.2	±0.3	±0.5	±0.8	±1.2	±2	±3	±4
VERY COARSE	-----	±0.5	±1	±1.5	±2.5	±4	±6	±8

**MATERIAL**  
SEE BOM

**FINISH**  
N/A

**VENDOR:** N/A

**P/N:** 740-6157

THIRD ANGLE PROJECTION



DRAWN	INITIAL	DATE
CHECKED		
APPROVED		

**UNISEN, INC. DBA**  
  
 14410 Myford Road  
 Irvine CA 92606

STARTRAC PART NO. **740-6157** REV **B**

TITLE **ASSY, MOTOR, 90 VDC, W/ BRACKET**

U.O.M. MM SCALE: 1:5 SHEET 1 OF 1 SHEET SIZE: B